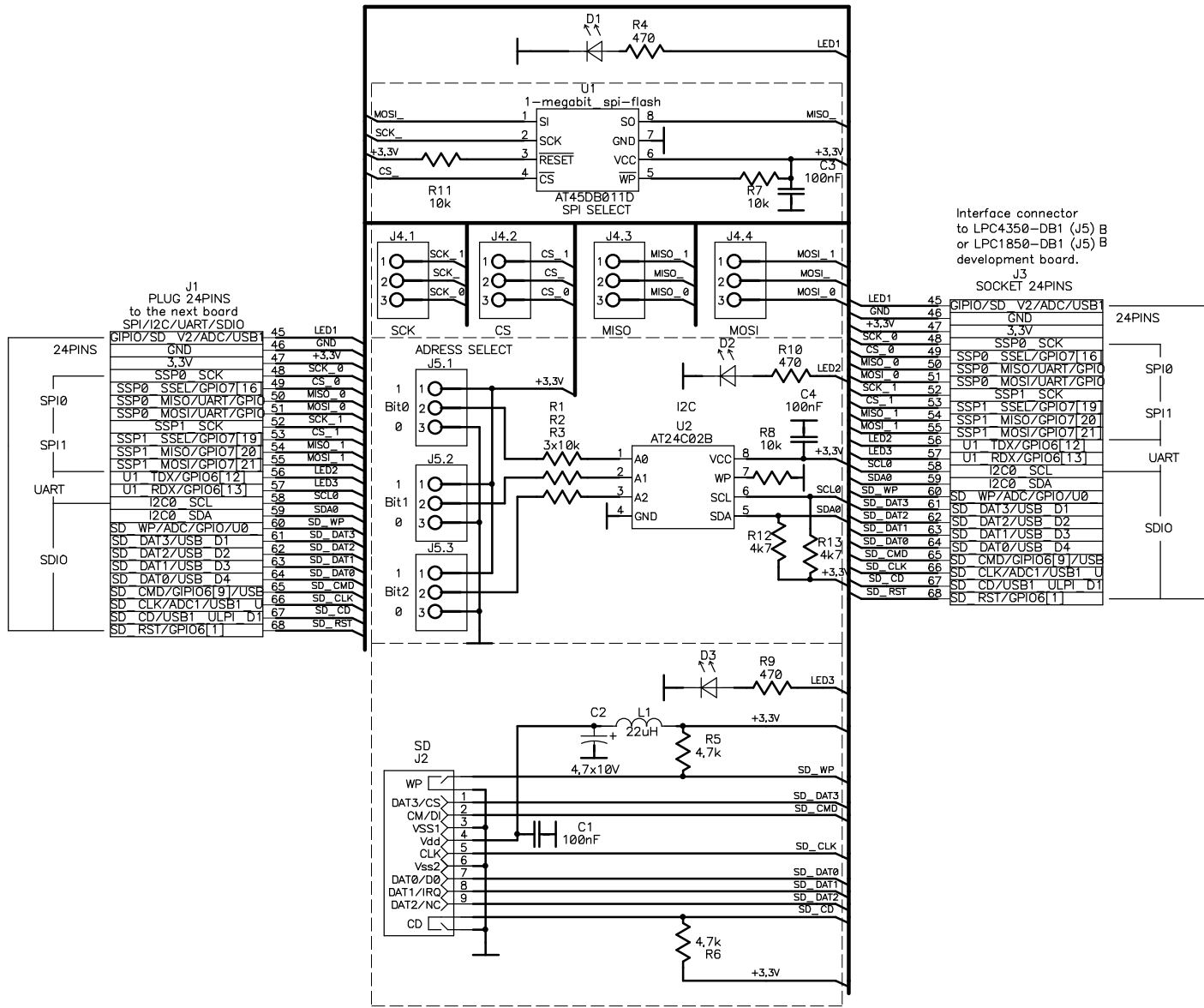


A

B

C

D



Interface connector  
to LPC4350-DB1 (J5) B  
or LPC1850-DB1 (J5) B  
development board.  
J3  
SOCKET 24PINS

J1  
PLUG 24PINS  
to the next board  
SPI/I2C/UART/SDIO

24PINS	45	LED1
	46	GND
	47	+3.3V
	48	SCK_0
SPI0	49	CS_0
	50	MISO_0
SPI1	51	MOSI_0
	52	SCK_1
	53	CS_1
	54	MISO_1
	55	MOSI_1
UART	56	LED2
	57	LED3
	58	SCL0
	59	SDA0
SDIO	60	SD_WP
	61	SD_DAT3
	62	SD_DAT2
	63	SD_DAT1
	64	SD_DAT0
	65	SD_CMD
	66	SD_CLK
	67	SD_CD
	68	SD_RST

45	GPIO/SD_V2/ADC/USB1
46	GND
47	+3.3V
48	SCK_0
49	SSP0_SSEL/GPIO7[16]
50	SSP0_MISO/UART/GPIO
51	SSP0_MOSI/UART/GPIO
52	SSP1_SCK
53	SSP1_SSEL/GPIO7[19]
54	SSP1_MISO/GPIO7[20]
55	SSP1_MOSI/GPIO7[21]
56	U1_TDX/GPIO6[12]
57	U1_RDX/GPIO6[13]
58	I2C0_SCL
59	I2C0_SDA
60	SD_WP/ADC/GPIO/U0
61	SD_DAT3/USB_D1
62	SD_DAT2/USB_D2
63	SD_DAT1/USB_D3
64	SD_DAT0/USB_D4
65	SD_CMD/GPIO6[9]/USE
66	SD_CLK/ADCT1/USB1_U
67	SD_CD/USB1_ULPI_D1
68	SD_RST/GPIO6[1]

24PINS	SPI0
	SPI1
	UART
	SDIO

Title FLASH-SDIO-EB1 EXTENSION BOARD		
Size A3	Number FLASH-SDIO-EB-1	Rev A
Date 1.06.2012	Drawn by	
Filenameflash-sdio-eb1.pdf	Sheet 1 of 1	